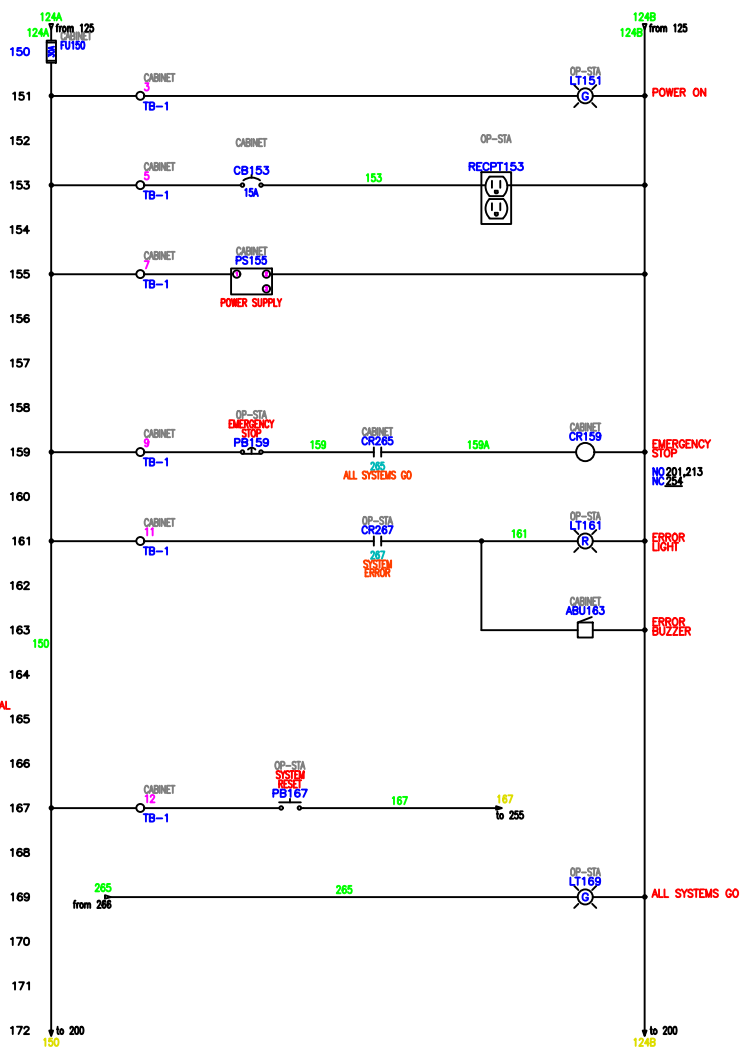
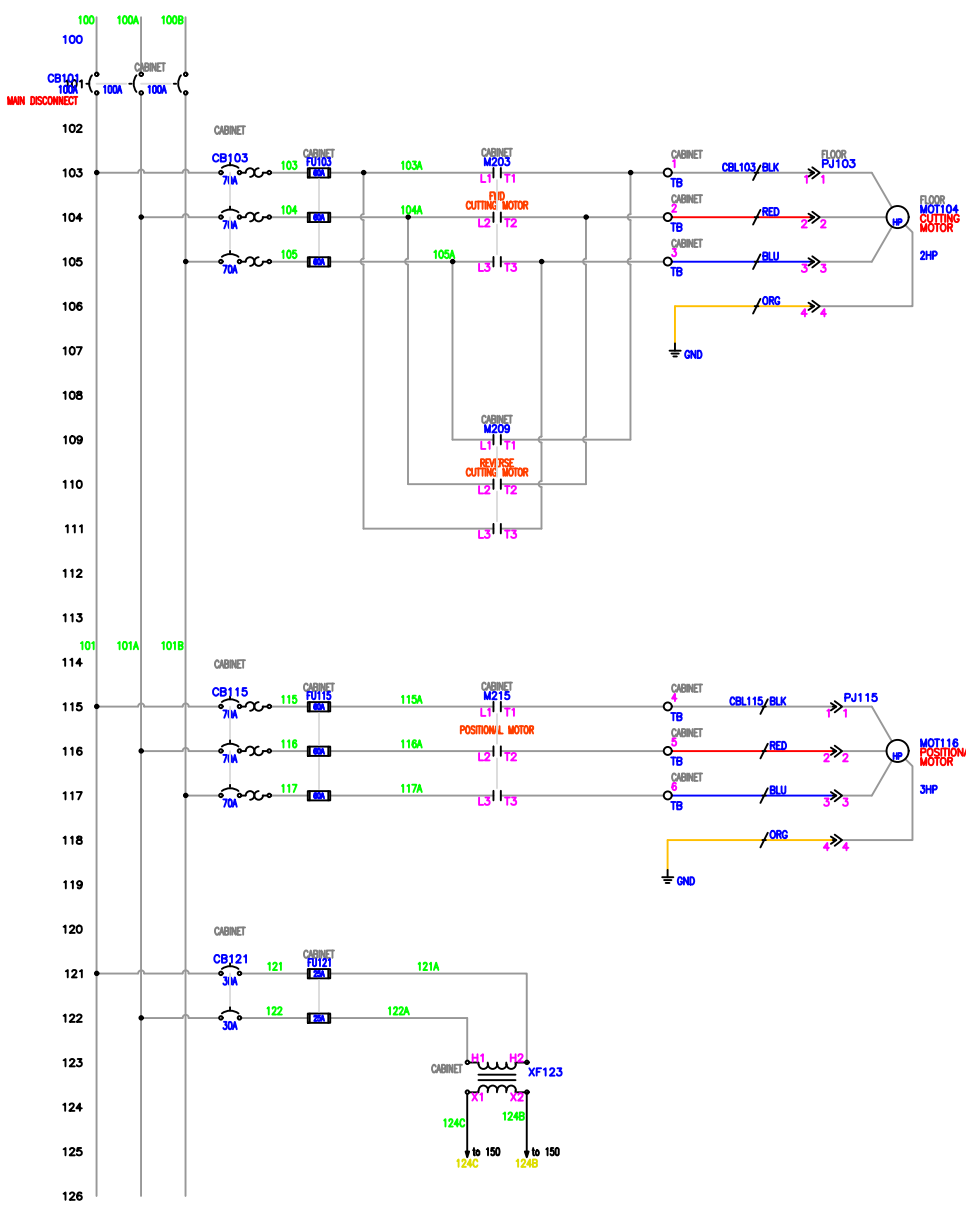


REVISIONS				
ZONE	REV	DESCRIPTION	DATE	APPROVED



ASCENT - Center for Technical Knowledge

ASCENT
AutoCAD Electrical
Fundamentals
Main Power

ENGINEER	CHECKED BY	SIZE	FSCH NO.	IMG NO.	REV
JOB NO	DRAWN BY	SCALE	DATE	SHEET 03 OF 06	

C:\COURSE\DATA\SET\POWER.DWG